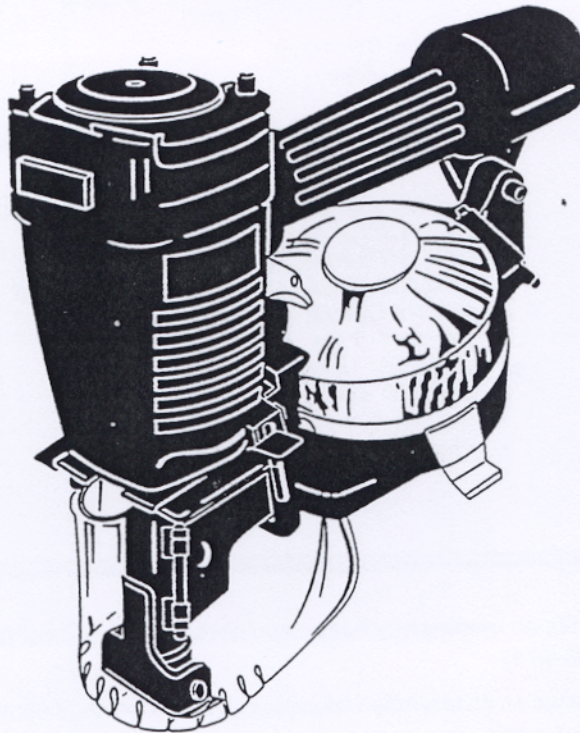


# CAMPBELL HAUSFELD®

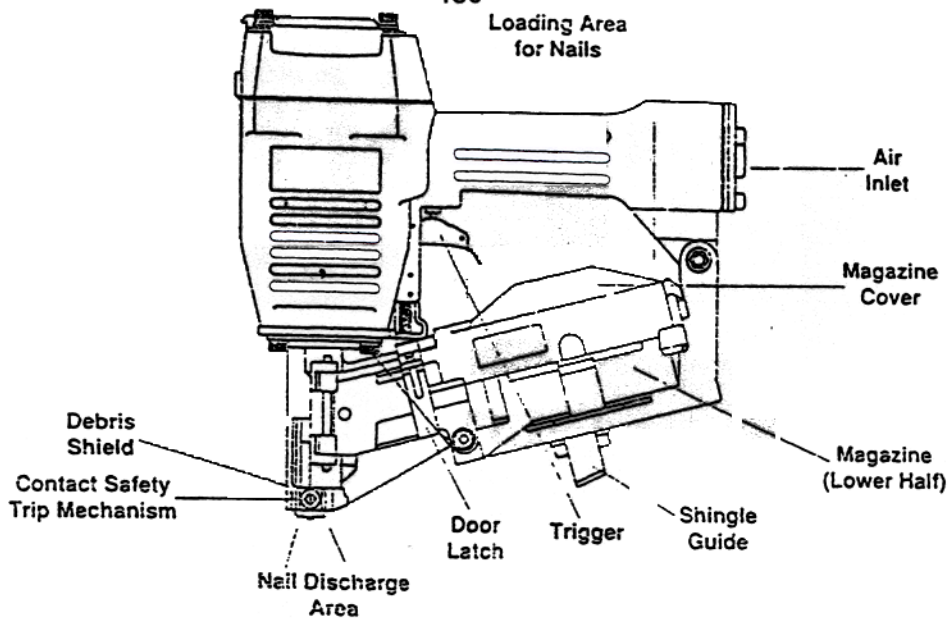
English

## Coil Roofing Nailer Model NC1545



Note: This manual IN 180300AV\* has been abridged, reduced or condensed for special inclusion in the service manual. VERSION: USA - ENGLISH

IN 180300AV



## Nailer Specifications

- REQUIRES 2.2 SCFM with 25 nails per minute @ 90 PSI
- AIR INLET 1/4" NPT
- NAIL SIZE RANGE 7/8" to 1 3/4"
- MAGAZINE CAPACITY 120 nails per load
- SHANK DIAMETER 120" Diameter
- WEIGHT 7 lbs , 2 oz
- LENGTH: 18 5/8"
- HEIGHT 10 1/2"
- MAXIMUM PRESSURE 115 PSI
- PRESSURE RANGE 70 - 115 PSI

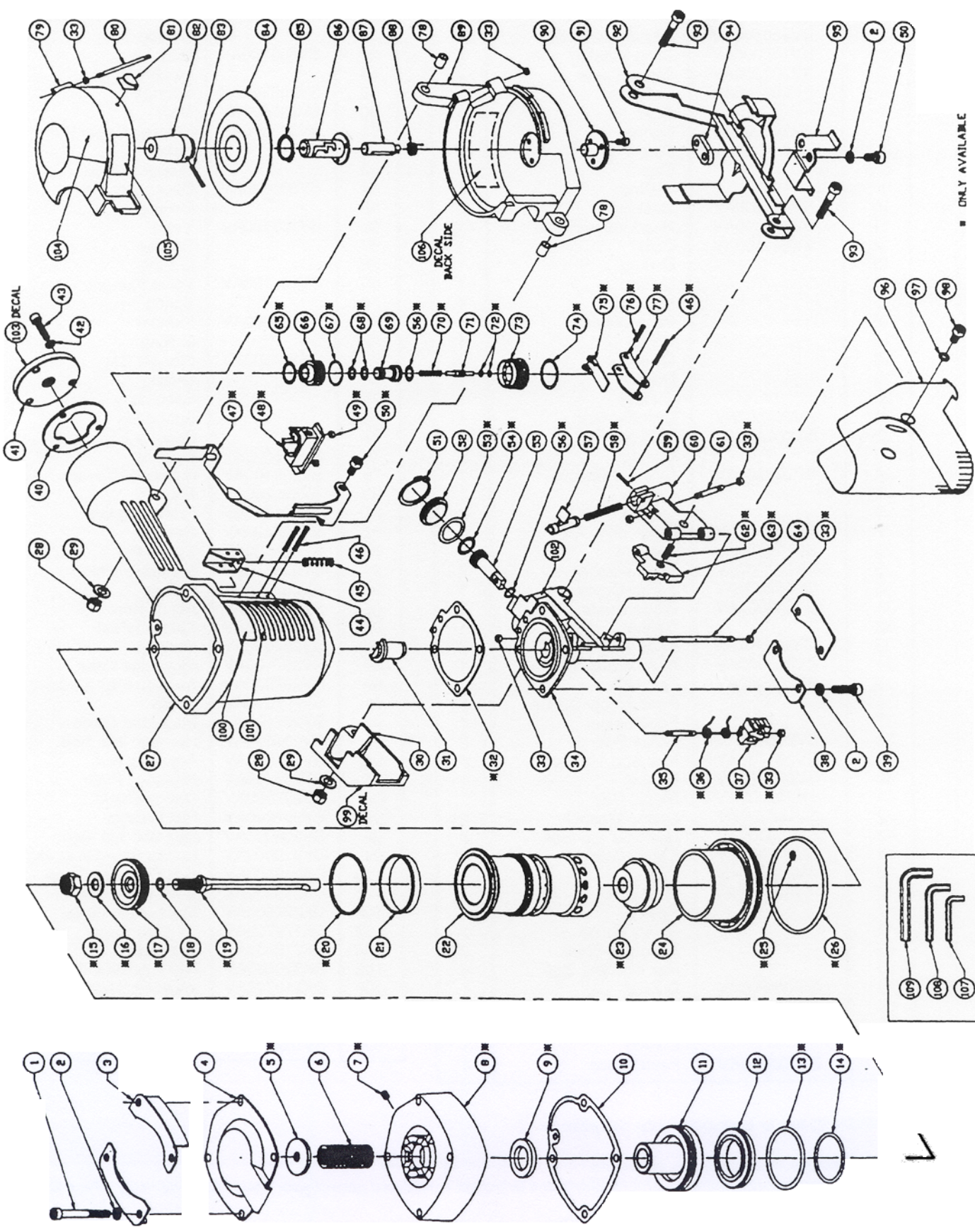
- ⚠ DANGER:** Indicates an imminently hazardous situation which, if not avoided, will result in death or serious injury
- ⚠ WARNING:** Indicates a potentially hazardous situation which, if not avoided, will result in death or serious injury
- ⚠ CAUTION:** Indicates a potentially hazardous situation which, if not avoided, may result in minor or moderate injury. This symbol may also alert the user to unsafe practices
- ⚠ NOTE:** Alerts the operator to useful information

The operator of this Nailer must take the necessary precautions to prevent the level of danger indicated by these symbols. The operator is also required to read and understand this instruction manual and all safety warnings, labels, etc

Any employer allowing the use of this Nailer in their field of work must distribute this instruction manual to all users. The employer must also ensure all users read, understand and follow the instructions as described in the manual, safety warnings, labels, etc

Campbell Hausfeld Nailers meet or exceed Industries' Standards as set forth by the American National Standard/International Staple, Nail and Tool Association in ANSI/ISANTA SNT-101-1983 and SNT-101a-1987

# Coil Roofing Nailer Model NC 545 Exploded View



# Coil Roofing Nailer Model NC1545 - Parts List

Key No.	Part No.	Description	Qty.
1	SV200100AV	Hex Soc. Hd. Bolt	4
2	SV108000AV	Spring Washer	10
3	SV200300AV	Guide Cover	2
4	SV200400AV	Deflector	1
5	.	Seal	1
6	SV200600AV	Spring	1
7	.	Screw	1
8	.	Cap	1
9	.	O-Ring	1
10	SV200900AV	Gasket	1
11	SV201000AV	Head Valve Piston	1
12	SV201100AV	Collar	1
13	.	O-Ring	1
14	.	O-Ring	1
15	.	Locknut	1
16	.	Plate Washer	1
17	.	Piston	1
18	.	O-Ring	1
19	.	Driver	1
20	.	O-Ring	1
21	SV202000AV	Cylinder Ring	1
22	SV202100AV	Cylinder	1
23	.	Bumper	1
24	SV202300AV	Cylinder Spacer	1
25	.	O-Ring	1
26	.	O-Ring	1
27	SV202600AV	Body	1
28	SV103300AV	Locknut	2
29	SV202700AV	Plate Washer	2
30	SV202800AV	Safety Cover	1
31	SV202900AV	Blade Guide	1
32	.	Gasket	1
33	*SV203100AV	Shaft Ring	7
34	SV203200AV	Nose Piece	1
35	SV203300AV	Feed Pin	1
36	.	Feed Finger Spring	1
37	.	Feed Finger	1
38	SV203600AV	Guide Bulb	2
39	SV203700AV	Hex Soc. Hd Bolt	4
40	SV203800AV	Gasket	1
41	SV203900AV	Nipple Cap	1
42	SV100400AV	Spring Washer	3
43	SV100500AV	Hex Soc. Hd Bolt	3
44	SV204000AV	Safety Guide	1
45	SV204100AV	Spring	1
46	*SV105000AV	Spring Pin	3
47	.	Safety	1
48	.	Safety Guide	1
49	.	Tungsten Steel	2
50	.	Hex Soc. Hd Bolt	4
51	SV204600AV	O-Ring	1
52	SV204700AV	Feed Spring Cap	1
53	.	O-Ring	1
54	.	O-Ring	1
55	SV205000AV	Feed Piston	1

Key No.	Part No.	Description	Qty.
56	.	O-Ring	
57	SV205100AV	Door Latch	
58	.	Latch Spring	
59	SV205300AV	Spring Pin	
60	SV205400AV	Door	
61	SV205500AV	Stopper Finger Pin	
62	.	Spring	
63	.	Stopper Finger	
64	SV205800AV	Door Shaft Pin	
65	.	O-Ring	
66	SV103800AV	Valve	
67	.	O-Ring	
68	.	O-Ring	
69	SV104100AV	Valve Plunger	
70	.	Spring	
71	SV104400AV	Plunger	
72	.	O-Ring	
73	SV104600AV	Plunger Cap	
74	.	O-Ring	
75	.	Secondary Trigger	
76	.	Spring Pin	
77	.	Primary Trigger	
78	SV206000AV	Bushing	
79	SV206100AV	Magazine Cover	
80	SV206200AV	Pin	
81	SV206300AV	Protection Unit	
82	SV206400AV	Spacer	
83	SV206500AV	Spring Pin	
84	SV206600AV	Magazine Shield	
85	SV206700AV	O-Ring	
86	SV206800AV	Adjust Post	
87	SV206900AV	Tension Post	
88	SV207000AV	Spring	
89	SV207100AV	Magazine Case	
90	SV207200AV	Tension Post Bushing	
91	SV207300AV	Screw	
92	SV207400AV	Magazine Guide	
93	SV207500AV	Hex Soc Hd Bolt	
94	SV207600AV	Adjusting Nut	
95	SV207700AV	Adjusting Plate	
96	SV207800AV	Debris Shield	
97	SV207900AV	Flat Washer	
98	SV208000AV	Hex Soc Hd Bolt	
99	DK319000AV	Debris Shield Warning Decal	
100	DK319100AV	C-H Pro Logo Decal	
101	DK319200AV	Color Code Decal	
102	DK320500AV	Nail Length Decal	
103	DK178700AV	Oil Daily Decal	
104	DK318400AV	S/N Plate	
105	DK320600AV	Nail Adjustment Decal	
106	DK318700AV	Warning Decal	
107	SV109300AV	3 mm Hex Wrench	
108	SV109400AV	4 mm Hex Wrench	
109	SV109500AV	5 mm Hex Wrench	

\* Available as kits or assemblies only. See page 23.

Note: All screws, nuts, bolts, etc. are metric.

O-Rings, Springs, Bumpers, Debris Shield and Driver are considered normal wear items - (See Warranty - Page 28, item 6E).

## Coil Roofing Nailer Model NC1545 - Parts Kits &amp; Assemblies

## Parts Kits

Includes Key Nos.	Description	Part No.	Qty.
-	* Piston O-Ring Kit	SV154580AV	-
5	Seal		1
9	O-Ring		1
13	O-Ring		1
14	O-Ring		1
20	O-Ring		1
25	O-Ring		1
26	O-Ring		1
-	* Feeder Repair Kit	SV154583AV	-
33	Shaft Ring		5
36	Feed Finger Spring		1
37	Feed Finger		1
53	O-Ring		1
54	O-Ring		1
56	O-Ring		1
58	Latch Spring		1
62	Spring		1
63	Stopper Finger		1
-	* Trigger O-Ring Kit	SV154582AV	-
56	O-Ring		1
65	O-Ring		1
67	O-Ring		1
68	O-Ring		2
70	Spring		1
72	O-Ring		2
74	O-Ring		1
-	* Driver Kit	NP154599AV	-
14	O-Ring		1
15	Locknut		1
16	Plate Washer		1
17	Piston		1
18	O-Ring		1
19	Driver		1
-	* Bumper Kit	NP154597AV	-
23	Bumper		1
32	Gasket		1

## Assemblies

Includes Key Nos.	Description	Part No.	Qty.
-	* Trigger Assembly	SV108900AV	-
46	Spring Pin		1
75	Secondary Trigger		1
76	Spring Pin		1
77	Primary Trigger		1
-	* Cap Assembly	SV208200AV	-
7	Screw		1
8	Cap		1
-	* Safety Assembly	SV208300AV	-
47	Safety		1
48	Safety Foot		1
49	Tungsten Steel		2
50	Hex Soc.Hd Bolt		4

\* Complete O-Ring Kit NP154598AV Consists of:

Piston O-Ring Kit SV154580AV  
Trigger O-Ring Kit SV154582AV

# Fasteners

The following Campbell Hausfeld coil roofing nails are available at local retail stores. If you need help locating any item, call customer service at 1-800-543-6400 between 8 A.M. and noon or between 1 P.M. and 5 P.M. (Eastern Time Zone), Monday through Friday. Campbell Hausfeld nails meet or exceed Federal Specifications FF-N-105B.

Model #	Length	Shank Size	Shank Type	Point	Finish	Head	Collation	Nails per Coil
FC152200	7/8"	.120"	Smooth	Diamond	Galvanized	Full-round	Wire-Weld	120
FC152500	1"	.120"	Smooth	Diamond	Galvanized	Full-round	Wire-Weld	120
FC153000	1 1/4"	.120"	Smooth	Diamond	Galvanized	Full-round	Wire-Weld	120
FC154000	1 1/2"	.120"	Smooth	Diamond	Galvanized	Full-round	Wire-Weld	120
FC154500	1 3/4"	.120"	Smooth	Diamond	Galvanized	Full-round	Wire-Weld	120

## Interchange Information

Nails used in the Campbell Hausfeld NC1545 Coil Roofing Nailer will also work in Bostitch N12B, Senco SCN200R, and Hitachi NV 45AB.


## COLORMATCH™ system

Your Campbell Hausfeld Coil Roofing Nailer has a unique green COLORMATCH™ stripe. Look for the same green COLORMATCH™ stripe on Campbell Hausfeld nail boxes. Simply match the two color stripes to choose the right nails for your coil roofing nailer.

## Nailer Repair

Repairs on the nailer **must** be performed by qualified and experienced service people **ONLY**.

## Replacement Parts

 <b>WARNING</b>	Use only genuine Campbell Hausfeld replacement parts. Never substitute parts. Do not use modified parts or parts which will not give equivalent performance to the original equipment. When ordering replacement parts, specify by part number.
--	---

## Assembly Procedure for Seals

When repairing a nailer, the internal parts must be cleaned and lubricated. Parker O-lube or equivalent must be used on all O-rings. Each O-ring must be coated with O-lube before assembling. A small amount of oil must be used on all moving surfaces and pivots. After reassembling, a few drops of Unocal RX22 oil or equivalent, must be added through the air line before testing.